



We
Light Up
World





Who are we

The Light Bulb Revolution

Established in 1986 as a sole proprietorship, Paklite is a leading Company in the field of manufacturing LED Lighting Fixtures & Conventional Magnetic Ballasts in Pakistan. With over a 35 years of experience, we have strengthened our leadership position in the LED Lighting market with easy solutions for across all segments like, office, retail, industry and public.

We strive to make LED lighting technology more sustainable, through innovative quality, acquired by deep understanding of lighting designs through cutting-edge technology available in the innovative laboratories in our premises to create sustainable products in the environment of Pakistan.

Paklite holds a solid reputation for delivering top quality LED Bulbs, Down Lights, Batten Lights & all other types of commonly used luminaires. We are committed to continue to be the leader in the retail and wholesale market for the highest quality and best value products in Pakistan & Overseas.

Content

LED BULB



PAGE 04

GRACE DL



PAGE 05

LED PL-DL



PAGE 06

LED ECO+ DL



PAGE 07

LED OSMIUM DL



PAGE 08

LED ARC DL



PAGE 09

COB DL



PAGE 10

LED ROD



PAGE 11

STRIP LIGHT



PAGE 12

LED BATTEN



PAGE 13



PANEL LIGHT



PAGE 14

SM PL



PAGE 15

MOON LIGHT



PAGE 16

LED IL LIGHT



PAGE 17

LED SPARK FD



PAGE 18

LED P.FD



PAGE 18

LED SMD FD



PAGE 18

LED ENERGY LIGHT



PAGE 18

LED HWI



PAGE 19

STREET LIGHT



PAGE 19

ROAD LIGHT



PAGE 20

LED PREMIUM SL



PAGE 21

LED HBL



PAGE 22

GARDEN LIGHT



PAGE 21

EXIT LIGHT



PAGE 22

BULKHEAD



PAGE 23

WALL BRACKET



PAGE 24

TRACK LIGHT



PAGE 25

EMERGENCY



PAGE 26

STEP LIGHT



PAGE 27

APPROVALS



PAGE 28

PROUD TO SERVE



PAGE 29

PROUD TO SERVE



PAGE 31

PROUD TO SERVE



PAGE 31

All specifications & figures in this catalogue are for reference and subject to change without notice.

Quality Policy

Quality at Paklite Means to meet or exceed customer's requirements and expectations, and to provide true value of their money.

The Company recognizes the vital importance of its customers.

The goal of customer's satisfaction requires us to be flexible not only accommodating to their needs, but also to delight them consistently.

We Offer

- ⇒ Lighting design & proposals (Lighting calculations Agi32)
- ⇒ Quality fittings delivered within project deadlines
- ⇒ Manufacturing of extruded tube light
- ⇒ Technical advice to contractors as after sales service
- ⇒ Guarantees on all LED products



LED BULB

These LED Bulbs are recognized as a solution for the most commercial, industrial, retail and special applications like advertisement and merchandising. In addition to offer excellent energy efficiency and long life, Paklite LED Bulbs are designed to reduce lighting costs without compromise to the visual quality of indoor lighting environments.

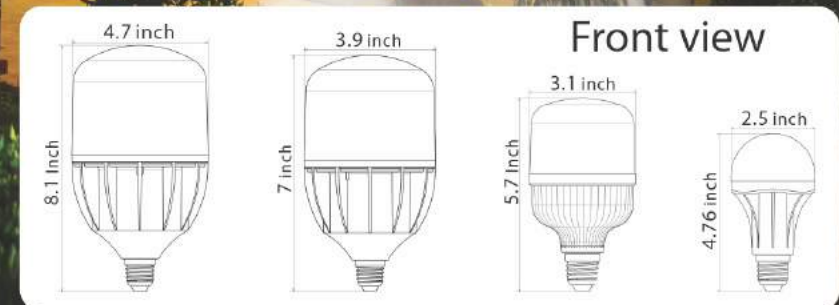
FEATURES

- Internal constant - current driver
- Constant Flow, Quick Start.
- Surge Protection for Voltage Fluctuation.
- Low Heat Dissipation Design.
- High Shock /Vibration resistant.
- Easy to install, Dust Proof.
- Prevent Electricity Leakage.
- 3X More Aluminum for Heat Dissipation.
- Mercury free and don't emit UV.
- Double E core transformer.

APPLICATIONS

- Shops
- Homes
- Warehouse
- Corridors

Power	Input Voltage	CRI	LED Life Span	IP Rating	Color Temperature	Power Factor	Luminous Efficiency	Working Temperature
12W	100-265	>85	30000/Hrs	IP-44	2700K - 6500K	>0.50	>100 Lm/W	-10°C TO 45°C
13W	100-265	>85	30000/Hrs	IP-44	2700K - 6500K	>0.50	>100 Lm/W	-10°C TO 45°C
13W E	100-265	>85	30000/Hrs	IP-44	2700K - 6500K	>0.50	>100 Lm/W	-10°C TO 45°C
13W E	100-265	>85	30000/Hrs	IP-44	2700K - 6500K	>0.90	>100 Lm/W	-10°C TO 45°C
18W TS	100-265	>85	30000/Hrs	IP-44	2700K - 6500K	>0.50	>100 Lm/W	-10°C TO 45°C
18W	100-265	>85	30000/Hrs	IP-44	2700K - 6500K	>0.50	>100 Lm/W	-10°C TO 45°C
18W	100-265	>85	30000/Hrs	IP-44	2700K - 6500K	>0.90	>100 Lm/W	-10°C TO 45°C
30W	100-265	>85	30000/Hrs	IP-44	2700K - 6500K	>0.50	>100 Lm/W	-10°C TO 45°C
30W	100-265	>85	30000/Hrs	IP-44	2700K - 6500K	>0.90	>100 Lm/W	-10°C TO 45°C
50W	100-265	>85	30000/Hrs	IP-44	2700K - 6500K	>0.90	>100 Lm/W	-10°C TO 45°C



LED GRACE DOWNLIGHT RECESSED MOUNTED

PakLite LED SMD Grace Recessed Mounted Downlight is a flexible and highly durable lighting solution that is designed to meet the demands of more arduous environments such as indoor or walking areas. Other applications include shop, houses or for simple indoor lighting solutions.

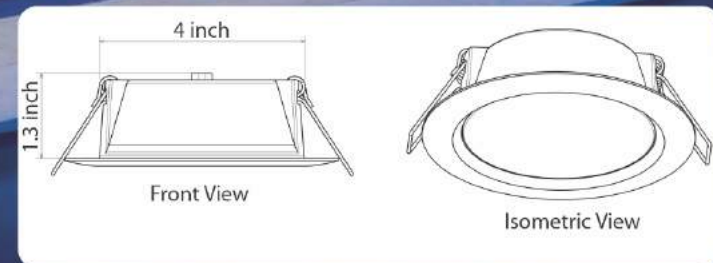
APPLICATIONS

- Stores
- Pantries
- Corridors
- Galleries
- Quarters
- Verandas
- Balconies
- Walking Areas
- Wash Rooms
- All Ceiling Applications

FEATURES

- Constant flow, Quick start
- 50000 hours Life span.
- Easy to install, dust proof.
- Prevents electricity leakage.
- Energy Efficient.
- Best build quality.

Power	Cut out Size	Face Size	Input Voltage	CRI	LED Life Span	IP Rating	Color Temperature	Power Factor	Luminous Efficiency	Working Temperature
7W	3/4 inch	3.9 inch	100-265	>85	50000/Hrs	IP-44	2700K - 6800K	>0.50	>80 Lm/W	-10°C TO 45°C



LED PLATINUM DOWNLIGHT RECESSED MOUNTED

With more than 50000 hrs lifespan, easy to install and low-cost maintenance design, PakLite introduces the new standard range of LED Platinum Downlights that transforms ambient lighting into an exquisite balance of refined appearance with superior efficiency.

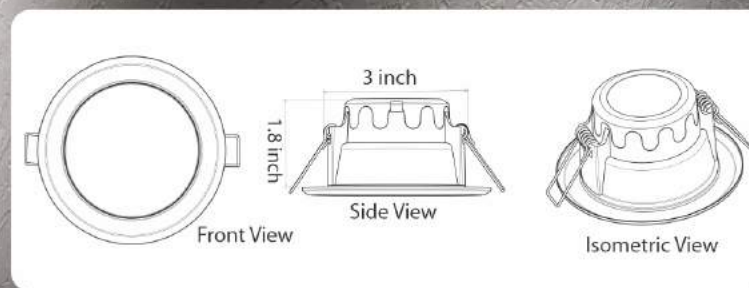
APPLICATIONS

- Stores
- Pantries
- Corridors
- Galleries
- Quarters
- Verandas
- Balconies
- Walking Areas
- Wash Rooms
- All Ceiling Applications

FEATURES

- Constant flow, Quick start.
- 50000 hours Life span.
- Easy to install, dust proof.
- Prevents electricity leakage.
- Energy Efficient.
- Best build quality.

Power	Cut out Size	Face Size	Input Voltage	CRI	LED Life Span	IP Rating	Color Temperature	Power Factor	Luminous Efficiency	Working Temperature
7W	3 inch	4 inch	100-265	>85	50000/Hrs	IP-44	2700K - 6800K	>0.50	>80 Lm/W	-10°C TO 45°C
7W	3/4 inch	4.25 inch	100-265	>85	50000/Hrs	IP-44	2700K - 6800K	>0.50	>80 Lm/W	-10°C TO 45°C
12W	3 inch	4 inch	100-265	>85	50000/Hrs	IP-44	2700K - 6800K	>0.50	>80 Lm/W	-10°C TO 45°C
12W	3/4 inch	4.25 inch	100-265	>85	50000/Hrs	IP-44	2700K - 6800K	>0.50	>80 Lm/W	-10°C TO 45°C
18W	6 inch	6.65 inch	100-265	>85	50000/Hrs	IP-44	2700K - 6800K	>0.50	>80 Lm/W	-10°C TO 45°C
18W	6 inch	6.65 inch	100-265	>85	50000/Hrs	IP-44	2700K - 6800K	>0.90	>80 Lm/W	-10°C TO 45°C



LED OSMIUM DOWNLIGHT RECESSED MOUNTED

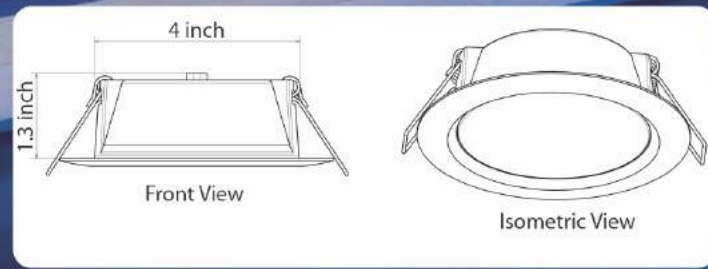
PakLite LED SMD Osmium Recessed Mounted Downlight is a flexible and highly durable lighting solution that is designed to meet the demands of more arduous environments such as indoor or walking areas. Other applications include shop, houses or for simple indoor lighting solutions.

APPLICATIONS

- Stores
- Pantries
- Corridors
- Galleries
- Quarters
- Verandas
- Balconies
- Walking Areas
- Wash Rooms
- All Ceiling Applications

FEATURES

- Constant flow, Quick start
- 50000 hours Life span.
- Easy to install, dust proof.
- Prevents electricity leakage.
- Energy Efficient.
- Best build quality.



Power	Cut out Size	Face Size	Input Voltage	CRI	LED Life Span	IP Rating	Color Temperature	Power Factor	Luminous Efficiency	Working Temperature
7W	3/4 inch	3.9 inch	100-265	>85	50000/Hrs	IP-44	2700K - 6800K	>0.50	>80 Lm/W	-10°C TO 45°C

LED ARC DOWNLIGHT RECESSED MOUNTED

With more than 50000 hrs lifespan, easy to install and low-cost maintenance design, PakLite introduces the new standard range of LED Platinum Downlights that transforms ambient lighting into an exquisite balance of refined appearance with superior efficiency.

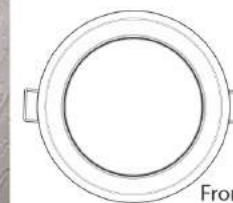
APPLICATIONS

- Stores
- Pantries
- Corridors
- Galleries
- Quarters
- Verandas
- Balconies
- Walking Areas
- Wash Rooms
- All Ceiling Applications

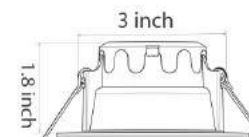
FEATURES

- Constant flow, Quick start.
- 50000 hours Life span.
- Easy to install, dust proof.
- Prevents electricity leakage.
- Energy Efficient.
- Best build quality.

Power	Cut out Size	Face Size	Input Voltage	CRI	LED Life Span	IP Rating	Color Temperature	Power Factor	Luminous Efficiency	Working Temperature
7W	3 inch	4 inch	100-265	>85	50000/Hrs	IP-44	2700K - 6800K	>0.50	>80 Lm/W	-10°C TO 45°C
7W	3/4 inch	4.25 inch	100-265	>85	50000/Hrs	IP-44	2700K - 6800K	>0.50	>80 Lm/W	-10°C TO 45°C



Front View



Side View



Isometric View

LED ECO PLUS+ DOWNLIGHT RECESSED MOUNTED

A highly performance and energy-efficient ECO Plus+ Recessed Mounted downlights with more than 50000 hrs of lifespan, easy to install and low-cost maintenance design. PakLite LED ECO Plus+ ceiling downlights deliver beautiful lighting for any room in your home whilst also being suitable in any commercial settings.

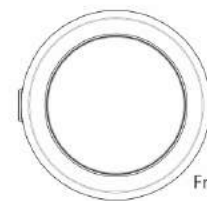
APPLICATIONS

- Stores
- Pantries
- Corridors
- Galleries
- Quarters
- Verandas
- Balconies
- Walking Areas
- Wash Rooms
- All Ceiling Applications

FEATURES

- Constant flow, Quick start.
- 50000 hours Life span.
- Easy to install, dust proof.
- Prevents electricity leakage.
- Energy Efficient.
- Best build quality.

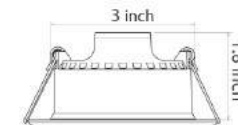
Power	Cut out Size	Face Size	Input Voltage	CRI	LED Life Span	IP Rating	Color Temperature	Power Factor	Luminous Efficiency	Working Temperature
7W	3 inch	3.9 inch	100-265	>85	50000/Hrs	IP-44	2700K - 6800K	>0.50	>80 Lm/W	-10°C TO 45°C
12W	4 inch	4.7 inch	100-265	>85	50000/Hrs	IP-44	2700K - 6800K	>0.50	>80 Lm/W	-10°C TO 45°C
7W	3 inch	3.9 inch	100-265	>85	50000/Hrs	IP-44	2700K - 6800K	>0.90	>100 Lm/W	-10°C TO 45°C
12W	4 inch	4.7 inch	100-265	>85	50000/Hrs	IP-44	2700K - 6800K	>0.90	>100 Lm/W	-10°C TO 45°C



Front View



Isometric View



Side View

LED COB MOVEABLE DOWNLIGHT RECESSED MOUNTED

PakLite LED COB Downlights are designed to reduce lighting cost without compromise to the visual quality of indoor lighting environments. The downlights saturates light output to your interior space with a strong and uniformed glow. Its sophisticated recessed design is perfect for generating spot

APPLICATIONS

- Shops
- Displays
- Shopping Malls
- Hospitals
- Galleries
- Arenas
- Conference Halls
- Commercial Clothing Displays

FEATURES

- Constant Flow, Quick Start.
- Easy to install .
- Dust proof.
- Prevents electricity leakage.
- Energy Efficient.
- Best build quality.

Power	Cut Out Size	Face Size	Input Voltage	CRI	LED Life Span	IP Rating	Color Temperature	Power Factor	Luminous Efficiency	Working Temperature
3W	2 inch	2.5 inch	100-265	>85	50000/Hrs	IP-44	2700K - 6500K	>0.50	>90 Lm/W	-10°C TO 45°C
7W	3 inch	3.5 inch	100-265	>85	50000/Hrs	IP-44	2700K - 6500K	>0.50	>90 Lm/W	-10°C TO 45°C
12W	4 inch	4.5 inch	100-265	>85	50000/Hrs	IP-44	2700K - 6500K	>0.50	>90 Lm/W	-10°C TO 45°C
15W	4 inch	4.5 inch	100-265	>85	50000/Hrs	IP-44	2700K - 6500K	>0.50	>90 Lm/W	-10°C TO 45°C
7W	3 inch	3.5 inch	100-265	>85	50000/Hrs	IP-44	2700K - 6500K	>0.90	>100 Lm/W	-10°C TO 45°C
12W	4 inch	4.5 inch	100-265	>85	50000/Hrs	IP-44	2700K - 6500K	>0.90	>100 Lm/W	-10°C TO 45°C
15W	4 inch	4.5 inch	100-265	>85	50000/Hrs	IP-44	2700K - 6500K	>0.90	>100 Lm/W	-10°C TO 45°C

LED T8 TUBE ROD

PakLite LED Tube Rod is the ideal uplamping solution for a wide range of general lighting applications. It offer super energy savings over a lifetime that's twice as long as fluorescent alternatives and does not have any ultraviolet or infrared radiation. It's easy to install & replace dissipates very low heat and its environment friendly.

APPLICATIONS

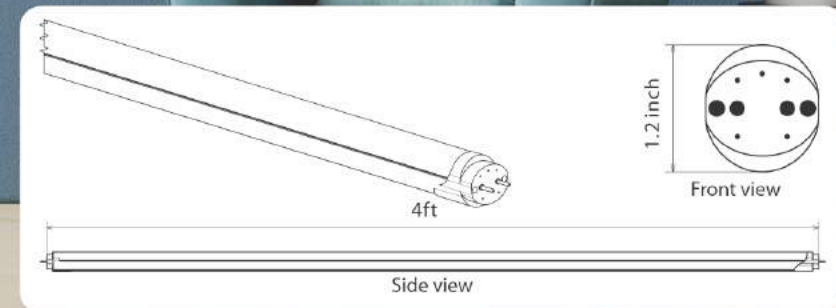
- Textile Units
- Weaving Units
- Printing Units
- Industrial Halls
- Assembling Areas
- Class Rooms
- Libraries

FEATURES

- Direct replacement for any traditional fluorescent T8 tube rod.
- High power driver efficiency >80%.
- Non-UV or IR radiation.
- Low heat dissipation design.
- Easy to install, Dust Proof.
- Energy saving and environment friendly.



Power	Input Voltage	CRI	LED Life Span	IP Rating	Color Temperature	Power Factor	Luminous Efficiency	Working Temperature
14W Alu 4ft	100-265	>85	50000/Hrs	IP-44	2700K - 6500K	>0.95	>150 Lm/W	-10°C TO 45°C
18W Alu 4ft	100-265	>85	50000/Hrs	IP-44	2700K - 6500K	>0.95	>140 Lm/W	-10°C TO 45°C
9W PC 2ft	100-265	>85	50000/Hrs	IP-44	2700K - 6500K	>0.50	>110 Lm/W	-10°C TO 45°C
18W PC 4ft	100-265	>85	50000/Hrs	IP-44	2700K - 6500K	>0.50	>110 Lm/W	-10°C TO 45°C



LED T8 STRIP LIGHT SURFACE MOUNTED

Add an extensive array of lights in any environment at the flick of a switch with PakLite's T8 LED Strip Light. With easy installation, minimal space requirement and 50000 hours life span. LED strip light is made by different view angles mixing lighting design with excellent heat dissipation, making it the perfect choice for your ambiance.

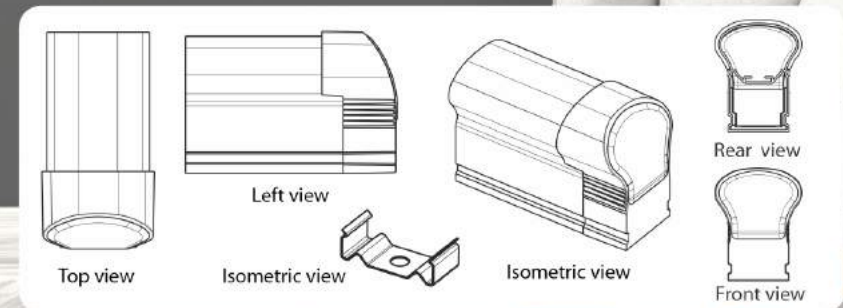
APPLICATIONS

- Textile Units
- Weaving Units
- Printing Units
- Industrial Halls
- Assembling Areas
- Class Rooms
- Libraries
-
-
-

FEATURES

- Excellent replacement for old T8 fluorescent Lights.
- Designed to manage heat dissipation.
- 50000 hours Life span.
- High efficiency constant current driver.
- Brighter with less degradation than T8 fluorescent lights.

Power	Input Voltage	CRI	LED Life Span	IP Rating	Color Temperature	Power Factor	Luminous Efficiency	Working Temperature
9W PC 2ft	100-265	>85	50000/Hrs	IP-44	2700K - 6500K	>0.5	>110 Lm/W	-10°C TO 45°C
18W PC 4ft	100-265	>85	50000/Hrs	IP-44	2700K - 6500K	>0.5	>110 Lm/W	-10°C TO 45°C
18W PC 4ft	100-265	>85	50000/Hrs	IP-44	2700K - 6500K	>0.9	>110 Lm/W	-10°C TO 45°C
36W PC 8ft	100-265	>85	50000/Hrs	IP-44	2700K - 6500K	>0.9	>110 Lm/W	-10°C TO 45°C



LED BATTEN LIGHT SURFACE MOUNTED

Add a glossy look of lights in any environment at the flick of a switch with PakLite's LED Batten Light. With easy installation on walls or ceiling it will opt minimal space and fit smartly into your interiors. With 50000 hours of life span LED Batten light is the perfect choice for your ambience.

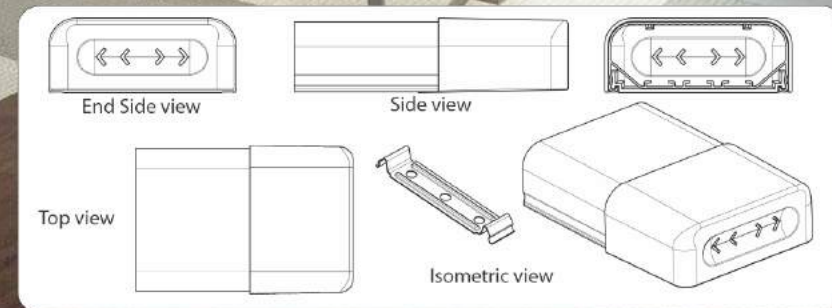
APPLICATIONS

- Domestic Use
- Dining Rooms
- Departmental Stores
- Conference Rooms
- Corridors
- Class Rooms
- Laboratories

FEATURES

- Excellent replacement for old T8 fluorescent Lights.
- Designed to manage heat dissipation.
- 50000 hours Life span.
- High efficiency constant current driver.
- Brighter with less degradation than T8 fluorescent lights.
- Easy to install & remove.

Power	Input Voltage	CRI	LED Life Span	IP Rating	Color Temperature	Power Factor	Luminous Efficiency	Working Temperature
20W 2ft	100-265	>85	50000/Hrs	IP-44	2700K - 6500K	>0.5/0.9	>100 Lm/W	-10°C TO 45°C
40W 4ft	100-265	>85	50000/Hrs	IP-44	2700K - 6500K	>0.5/0.9	>100 Lm/W	-10°C TO 45°C
60W 4ft	100-265	>85	50000/Hrs	IP-44	2700K - 6500K	>0.5/0.9	>100 Lm/W	-10°C TO 45°C
80W 8ft	100-265	>85	50000/Hrs	IP-44	2700K - 6500K	>0.5/0.9	>100 Lm/W	-10°C TO 45°C
120W 8ft	100-265	>85	50000/Hrs	IP-44	2700K - 6500K	>0.5/0.9	>100 Lm/W	-10°C TO 45°C



LED PANEL LIGHT

PakLite LED Panel Light transforms ambient lighting into an exquisite balance of refined appearance and superior efficiency. When illuminated, the panels deliver exceptional uniform light, to all over the area. It saves energy up to 80% with an incredible lifespan of more than 10 years.

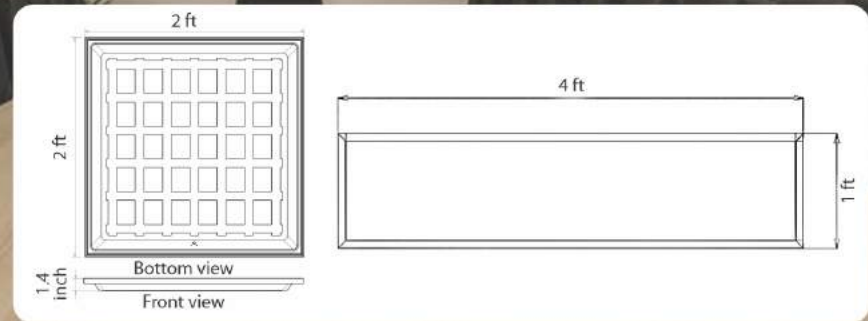
APPLICATIONS

- Executive Offices
- Hotels
- Conference, Meeting Rooms
- Residential & institution Buildings
- Hospitals
- Work Stations

FEATURES

- Super Dynamic Shape.
- Low maintenance cost.
- Gleaming white powder paint.
- Lining designed, screw less upper case diffuser.
- External isolated driver with built-in SPD.

Power	Dimensions	Input Voltage	CRI	LED Life Span	IP Rating	Color Temperature	Power Factor	Luminous Efficiency	Working Temperature
6W	4x4 inch	100-265	>85	50000/Hrs	IP-44	2700K - 6500K	>0.50	>90 Lm/W	-10°C TO 45°C
12W	6x6 inch	100-265	>85	50000/Hrs	IP-44	2700K - 6500K	>0.50	>90 Lm/W	-10°C TO 45°C
18W	8x8 inch	100-265	>85	50000/Hrs	IP-44	2700K - 6500K	>0.50	>90 Lm/W	-10°C TO 45°C
18W R	8 inch	100-265	>85	50000/Hrs	IP-44	2700K - 6500K	>0.50	>90 Lm/W	-10°C TO 45°C
40W SL	2x2 ft	100-265	>85	50000/Hrs	IP-44	2700K - 6500K	>0.90	>90 Lm/W	-10°C TO 45°C
40W SL	1x4 ft	100-265	>85	50000/Hrs	IP-44	2700K - 6500K	>0.90	>90 Lm/W	-10°C TO 45°C
40W BL	2x2 ft	100-265	>85	50000/Hrs	IP-44	2700K - 6500K	>0.90	>90 Lm/W	-10°C TO 45°C
48W BL	2x2 ft	100-265	>85	50000/Hrs	IP-44	2700K - 6500K	>0.90	>90 Lm/W	-10°C TO 45°C



LED SURFACE MOUNTED PANEL LIGHT

Paklite surface mounted lights has been highly used in interior ceilings for commercial and residential spaces. Surface mounted ceiling lights are flat luminaires for any surface. Its flat style and design which gives a beautiful look to space. These lights are easy to install and are ideal for indoor applications because of their quality, uniform distribution and long service life.

APPLICATIONS

- Hall Lighting
- Office Lighting
- Super Markets
- Any indoor Surface
- Library
- Museums
- Kitchen Lighting

FEATURES

- Energy efficient, saves more than 80% energy.
- Easy to instal.
- Cost efficient.
- Perfect illumination for required area.
- Made from high impact resistant plastic.

Power	Face Size	Input Voltage	CRI	LED Life Span	IP Rating	Color Temperature	Power Factor	Luminous Efficiency	Working Temperature
12W	6 inch	100-265	>80	30000/Hrs	IP-44	2700K - 6500K	>0.50	>80 Lm/W	-10°C TO 45°C
18W	8 inch	100-265	>80	30000/Hrs	IP-44	2700K - 6500K	>0.50	>80 Lm/W	-10°C TO 45°C



LED MOON LIGHT

Paklite LED Moon Light is a rimless panel light which defines what quality means. The expected life span of the product is >30,000 hours. This light can be fitted in 2 to 5.5 inch frame size due to its adjustable clip. Offering high lumens the product can significantly reduce the number of lights you install in your project. PC cover material with high temperature resistant and intelligent constant current driver provides protection from overheat, short circuit and under-voltage.

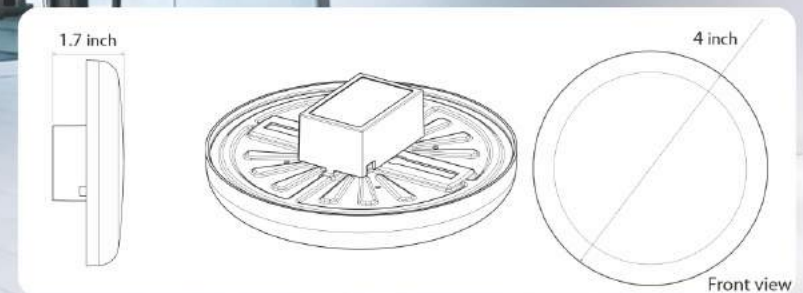
APPLICATIONS

- Home
- Office
- Classroom
- Supermarket
- School
- Hospitals
- Dining Areas
- Showrooms
- Meeting Hall

FEATURES

- Adjustable spring range to fix in different size cut out.
- Easy to Install.
- Energy Efficient, saves up-to 80% energy.
- Constant current driver.
- Illuminate more area than other recessed down lights.
- Elegant design Blend with any interior style.
- Wider light distribution due to wide beam angle.

Power	Cut out Size	Face Size	Input Voltage	CRI	LED Life Span	IP Rating	Color Temperature	Power Factor	Luminous Efficiency	Working Temperature
12W	2 - 5.5 inch	4 inch	100-265	>85	30000/Hrs	IP-44	2700K - 6500K	>0.50	>80 Lm/W	-10°C TO 45°C
18W	2 - 5.5 inch	6 inch	100-265	>85	30000/Hrs	IP-44	2700K - 6500K	>0.50	>80 Lm/W	-10°C TO 45°C



LED INDUSTRIAL LIGHT

PakLite LED Industrial Light are designed for factories, warehouses, retailers, mega malls and specially textile units. The unique optical design focuses light downward to where it is needed, resulting improved efficiency and improved visibility.

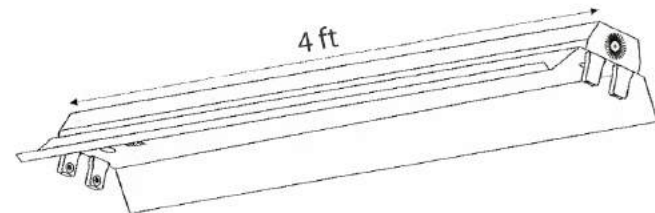
APPLICATIONS

- Halls
- Stores
- Garage
- Schools
- Godowns
- Pantries
- Dying Areas
- Cold Storage
- Ware houses
- Washing Areas
- Textile Industries

FEATURES

- Low maintenance cost, as reflector is easy to remove and install again.
- Light enhancements by tilting reflector to focus on particular operation.
- Thick body and strong grips result in tough metal structure.
- Stainless steel body is also available.
- Special surface treatment to avoid rusting.

Power	Input Voltage	CRI	LED Life Span	IP Rating	Color Temperature	Power Factor	Luminous Efficiency	Working Temperature
18W	100-265	>85	50000/Hrs	IP-44	2700K - 6500K	>0.95	>140 Lm/W	-10°C TO 45°C
36W	100-265	>85	50000/Hrs	IP-44	2700K - 6500K	>0.95	>140 Lm/W	-10°C TO 45°C



LED FLOOD LIGHTS

Paklite Flood Light is an extremely flexible and versatile LED solution that ensure an excellent quality of light, targeted where is required, at the same time allows to increase the hot spot and improve the light distribution onto the higher position for building facade.

APPLICATIONS

- Architectural
- Building Roofs
- Area Lighting
- Signage
- Sports Complexes
- Surveillance Lighting
- Spot Lighting

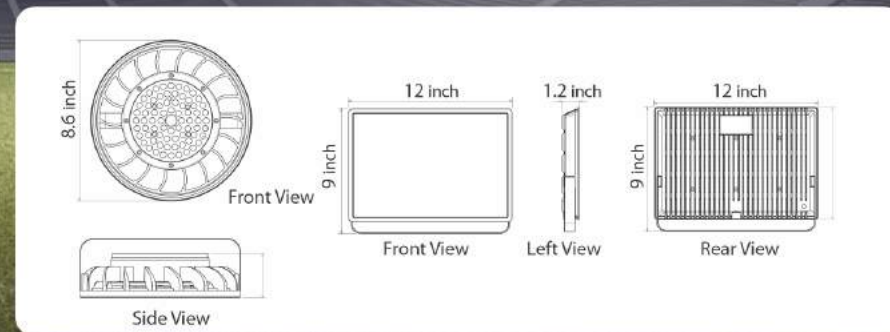
FEATURES

- Provides even and bright illumination.
- Aluminum alloy shell for better heat dissipation.
- 50000 hrs life span.
- Ingress Protection Grade IP65.
- Ultra energy efficient up to 80%.

Customized solution available proximity & light sensors.



Power	Input Voltage	CRI	LED Life Span	IP Rating	Color Temperature	Power Factor	Luminous Efficiency	Working Temperature
50W PS	100-265	>85	50000/Hrs	IP-65	2700K - 6500K	>0.95	>110 Lm/W	-10°C TO 45°C
100W SMD	100-265	>85	50000/Hrs	IP-65	2700K - 6500K	>0.95	>110 Lm/W	-10°C TO 45°C
120W SMD	100-265	>85	50000/Hrs	IP-65	2700K - 6500K	>0.95	>110 Lm/W	-10°C TO 45°C
50W	100-265	>85	50000/Hrs	IP-65	2700K - 6500K	>0.95	>110 Lm/W	-10°C TO 45°C
80W	100-265	>85	50000/Hrs	IP-65	2700K - 6500K	>0.95	>110 Lm/W	-10°C TO 45°C
100W	100-265	>85	50000/Hrs	IP-65	2700K - 6500K	>0.95	>110 Lm/W	-10°C TO 45°C
120W	100-265	>85	50000/Hrs	IP-65	2700K - 6500K	>0.95	>110 Lm/W	-10°C TO 45°C
160W	100-265	>85	50000/Hrs	IP-65	2700K - 6500K	>0.95	>110 Lm/W	-10°C TO 45°C



LED STREET LIGHT

PakLite LED Street lights are built with premium quality material that is aluminum body for better heat dissipation results in better lifespan of the LED light source. It is IP 65 grade which means it is protected against dust and water which makes it suitable for outdoor use. It is very energy efficient that can save up to 80% energy comparing to traditional lighting fixtures.

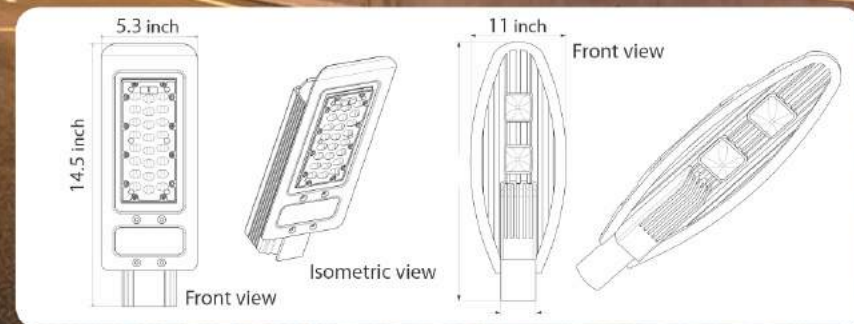
APPLICATIONS

- Flyover
- Under Passes
- highways
- Airport, Hostels & Restaurants
- Motor Ways
- Long parking
- Inter Changes
- Petrol Station
- Parks

FEATURES

- All Aluminum housing for better heat dissipation, extending the life span of lense lighting source.
- Free of dust and water, suitable for outdoor installation.
- Saves 80% more energy compared to traditional Lighting Fixture.

Power	Input Voltage	CRI	LED Life Span	IP Rating	Color Temperature	Power Factor	Luminous Efficiency	Working Temperature
50W	100-265	>85	50000/Hrs	IP-65	2700K - 6500K	>0.95	>110 Lm/W	-10°C TO 45°C
100W	100-265	>85	50000/Hrs	IP-65	2700K - 6500K	>0.95	>110 Lm/W	-10°C TO 45°C
100W	100-265	>85	50000/Hrs	IP-65	2700K - 6500K	>0.95	>110 Lm/W	-10°C TO 45°C
120W	100-265	>85	50000/Hrs	IP-65	2700K - 6500K	>0.95	>110 Lm/W	-10°C TO 45°C
150W	100-265	>85	50000/Hrs	IP-65	2700K - 6500K	>0.95	>110 Lm/W	-10°C TO 45°C
30W	100-265	>85	50000/Hrs	IP-65	2700K - 6500K	>0.95	>110 Lm/W	-10°C TO 45°C
60W	100-265	>85	50000/Hrs	IP-65	2700K - 6500K	>0.95	>110 Lm/W	-10°C TO 45°C
90W	100-265	>85	50000/Hrs	IP-65	2700K - 6500K	>0.95	>110 Lm/W	-10°C TO 45°C



LED ROAD LIGHT

PakLite LED Road lights are specially made with thick & deep aluminum fins for proper heat dissipation. High efficiency LED SMD Chips are used for enhance luminaire efficiency and better product life span.

APPLICATIONS

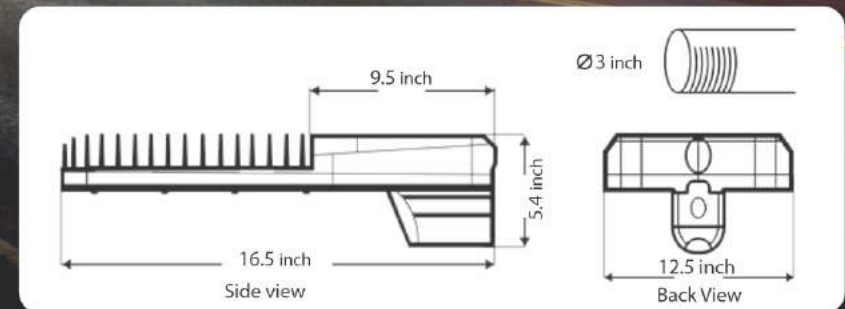
- Flyover
- highways
- Motor Ways
- Inter Changes
- Under Passes
- Airport, Hostels & Resturants
- Long parking
- Petrol Station

FEATURES

- All Aluminum housing for better heat dissipation, extending the life span of lense lighting source.
- Free of dust and water, suitable for outdoor installation.
- Saves 80% more energy compared to traditional Lighting Fixture.
- Customized solution available with proximity & light sensors.



Power	Input Voltage	CRI	LED Life Span	IP Rating	Color Temperature	Power Factor	Luminous Efficiency	Working Temperature
100W	100-265	>85	50000/Hrs	IP-65	2700K - 6500K	>0.95	>110 Lm/W	-10°C TO 45°C
120W	100-265	>85	50000/Hrs	IP-65	2700K - 6500K	>0.95	>110 Lm/W	-10°C TO 45°C
150W	100-265	>85	50000/Hrs	IP-65	2700K - 6500K	>0.95	>110 Lm/W	-10°C TO 45°C



LED PREMIUM STREET LIGHT

PakLite LED Premium street lights are specially made with thick & deep aluminum fins for proper heat dissipation. High efficiency LED SMD Chips are used for enhance luminaire efficiency and better product life span.

APPLICATIONS

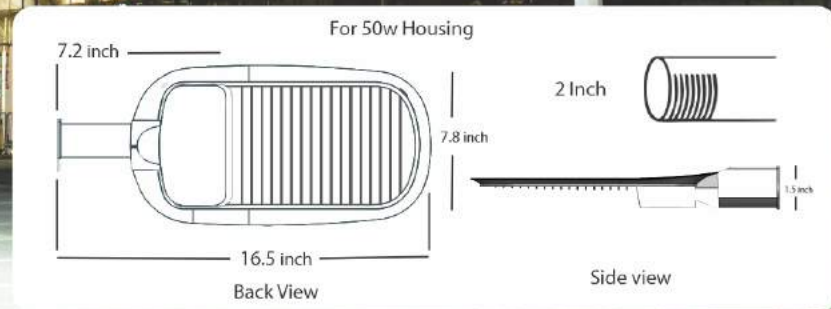
- Streets
- Roadways
- Housing Societies
- Parks
- Boundary walls
- Under Passes
- Airport, Hostels & Resturants
- Long parking
- Petrol Station

FEATURES

- Better heat dissipation aluminum body.
- Outdoor installation Ip66.
- 80% efficiency in electricity consumption.



Power	Input Voltage	CRI	LED Life Span	IP Rating	Color Temperature	Power Factor	Luminous Efficiency	Working Temperature
50W	100-265	>85	50000/Hrs	IP-65	2700K - 6500K	>0.95	>110 Lm/W	-10°C TO 45°C
100W	100-265	>85	50000/Hrs	IP-65	2700K - 6500K	>0.95	>110 Lm/W	-10°C TO 45°C



LED HIGHBAY LIGHT

PakLite LED High Bay Lights are specifically designed for taller ceilings and larger areas. High Bay light is more directly to create powerful illumination at a higher range ceiling, making them perfect for commercial and industrial applications such as warehouses and retail stores.

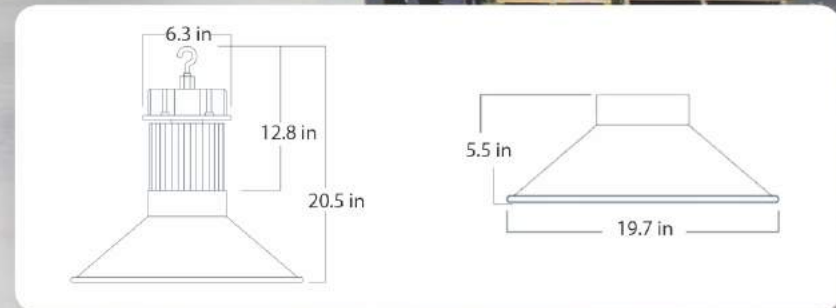
APPLICATIONS

- High Roofs
- Airport Hangers
- Searching Areas
- Sports Complex

FEATURES

- Easy Installation, Protected from dust, powder-coated Paint resistant to corrosive and salty environments.
- Available in aluminum dome and in different sizes.
- Extra Grip on light by its installation strip.
- Its magnificent dome is made of aluminum to withstand the high-temperature rise and round the clock operations.
- Ventilation system designed on gear box to extend the life of LED's to improve the illumination.

Power	Input Voltage	CRI	LED Life Span	IP Rating	Color Temperature	Power Factor	Luminous Efficiency	Working Temperature
50W	100-265	>85	50000/Hrs	IP-54	2700K - 6500K	>0.95	>110 Lm/W	-10°C TO 45°C
80W	100-265	>85	50000/Hrs	IP-54	2700K - 6500K	>0.95	>110 Lm/W	-10°C TO 45°C
100W	100-265	>85	50000/Hrs	IP-54	2700K - 6500K	>0.95	>110 Lm/W	-10°C TO 45°C
50W SMD	100-265	>85	50000/Hrs	IP-65	2700K - 6500K	>0.95	>110 Lm/W	-10°C TO 45°C
80W SMD	100-265	>85	50000/Hrs	IP-65	2700K - 6500K	>0.95	>110 Lm/W	-10°C TO 45°C
100W SMD	100-265	>85	50000/Hrs	IP-65	2700K - 6500K	>0.95	>110 Lm/W	-10°C TO 45°C
120W SMD	100-265	>85	50000/Hrs	IP-65	2700K - 6500K	>0.95	>110 Lm/W	-10°C TO 45°C



LED GARDEN LIGHT

Paklite Garden Lights are dedicated to light up public environments like parks, buildings outside areas to bring you more bright light in the evening with safety and convenience. Its graceful appearance will enhance any public space.

APPLICATIONS

- Gardens
- Backyard
- Plants
- Pathways
- Sports Complexes
- Surveillance Lighting
- Spot Lighting

FEATURES

- High-quality materials.
- Durable and weatherproof.
- Outstanding product design and safe handling.
- Energy savings of up to 80%.
- No need to replace the lamps.
- Highly reliable constant current driver guarantees long life span of the lamp beads.

Power	Input Voltage	CRI	LED Life Span	IP Rating	Color Temperature	Power Factor	Luminous Efficiency	Working Temperature
10W	100-265	>80	30000/Hrs	IP-65	3000K - 6500K	>0.5	>100 Lm/W	-10°C TO 45°C
15W	100-265	>80	30000/Hrs	IP-65	3000K - 6500K	>0.5	>100 Lm/W	-10°C TO 45°C



LED EXIT LIGHT

Paklite LED exit light is made up of durable, corrosion-resistant thermoplastic. The Exit Light comes as a double-sided unit out of the box. Its includes a Nickel Cadmium battery that will keep the sign lit for 90-minutes or more after normal building power fails.

APPLICATIONS

- Hospitals
- Hotels
- Malls
- Market Areas
- Office Building
- Industries

FEATURES

- LED illumination consumes less than 3 watts of electricity.
- Truly universal sign that can be used for single or double-sided use.
- Includes mounting canopy and hardware for wall hanging & ceiling installation.

Power	Input Voltage	Battery Backup	CRI	LED Life Span	IP Rating	Power Factor	Working Temperature
3W	100-265	>90 min	>80	30000/Hrs	IP-44	>0.5	-20°C TO 45°C



LED BULKHEAD LIGHT

LED BulkHead lights are type of fitting that connects the light casing to a wall or surface. This tough, effective lighting option can withstand difficult weather conditions and busy spaces, making them perfect for outdoor and indoor lighting alike.

APPLICATIONS

- Hospitality
- Residential
- Offices
- Boundary Walls
- Stairs
- Bathrooms
- Fountains
- Corridors
- Pathways

FEATURES

- High-quality materials.
- Durable and weatherproof.
- Outstanding product design and safe handling.
- Energy savings of up to 80%, meaning lower energy costs.
- No need to replace the lamps.



Power	Input Voltage	CRI	LED Life Span	IP Rating	Color Temperature	Power Factor	Luminous Efficiency	Working Temperature
15W	100-265	>80	30000/Hrs	IP-65	3000K - 6500K	>0.5	>100 Lm/W	-10°C TO 45°C
20W	100-265	>80	30000/Hrs	IP-65	3000K - 6500K	>0.5	>100 Lm/W	-10°C TO 45°C

LED WALLBRACKET LIGHT

Paklite Wall Bracket Light is suitable for outdoor wall mount, its cylindrical shape is suitable for both up and down lighting. Specially used for outdoor applications such as commercial spaces, residential buildings, campuses and more.

APPLICATIONS

- Corridor
- Boundary Walls
- Balconies
- Buildings Fronts
- Stairs
- Roof Tops

FEATURES

- Glass lens creates a clear and bright lighting.
- No Flickering and buzzing.
- Quick and easy Installation.
- 2 Light directions .
- Creates perfect spot .

Power	Input Voltage	CRI	LED Life Span	IP Rating	Color Temperature	Power Factor	Luminous Efficiency	Working Temperature
12W	100-265	>80	30000/Hrs	IP-65	3000K - 6500K	>0.5	>100 Lm/W	-10°C TO 45°C

LED TRACK LIGHT

Paklite LED Track light is a convenient way to install multiple adjustable ceiling projectors simultaneously. And with adjustable spots, you can direct the light wherever you want it, such as a painting or a bookshelf. You can illuminate your favorite objects and the reflected glow gives you a nice mood light in the room. The track light provides an elegant and modern glow in the rooms and other workplaces, especially in events.

APPLICATIONS

- Shops
- Displays
- Shopping Malls
- Super Markets
- Galleries
- Arenas
- Conference Halls
- Commercial Clothing
- Displays

FEATURES

- Low heat emission.
- Highly reliable isolated constant current driver.
- Up to 85% energy saving.
- Eco-friendly, mercury free, lead free.

Power	Input Voltage	CRI	LED Life Span	IP Rating	Color Temperature	Power Factor	Luminous Efficiency	Working Temperature
20W	100-265	>80	30000/Hrs	IP-65	3000K - 6500K	>0.5	>100 Lm/W	-10°C TO 45°C
30W	100-265	>80	30000/Hrs	IP-65	3000K - 6500K	>0.5	>100 Lm/W	-10°C TO 45°C



LED EMERGENCY LIGHT

Paklite Emergency light is designed to comply with state building and fire codes, insurance standards. Paklite offers cost-effective, energy efficient emergency lights to meet a variety of applications including industrial emergency lighting, high-end architectural emergency lights & recessed installation emergency lights.

APPLICATIONS

- Commercial Buildings
- Industrial Buildings
- Laboratories
- Processing Plants
- Gymnasium
- Parking Lot
- Shopping Plaza

FEATURES

- High performance, high brightness, high efficiency.
- Energy Saving Technology.
- Unique structure for excellent heat dissipation.
- Highly reliable isolated constant current driver.
- More than 90 min battery backup.



Power	Input Voltage	Battery Backup	CRI	LED Life Span	IP Rating	Color Temperature	Power Factor	Working Temperature
2W	100-265	>90 min	>80	30000/Hrs	IP-65	6500K	>0.5	-10°C TO 45°C

LED STEP LIGHT

Paklite LED step light featured a vented design, complete with an astonish finish with its horizontal louver. Paklite Step light offers a functional way to light up your walkaways or steps. The astonished finish goes seamlessly with any decor style. The light is softly diffused, to provide unobtrusive glare free illumination.

APPLICATIONS

- Stair ways
- Walkaways
- Boundaries
- Side Walls
- Steps

FEATURES

- Modern energy-efficient indoor & outdoor LED step light with louver cover.
- Suitable for vertical and horizontal orientation.
- Ingress Protection level: Ip65.



Power	Cut Out Size	Face Size	Input Voltage	CRI	LED Life Span	IP Rating	Color Temperature	Power Factor	Luminous Efficiency	Working Temperature
3W	4.2x1.6 inch	4.3x1.8 inch	100-265	>85	30000/Hrs	IP-65	2700K - 6500K	>0.50	>80 Lm/W	-10°C TO 45°C

CERTIFICATES & APPROVALS



PROUD TO SERVE



PROUD TO SERVE



HUSEIN SUGAR MILLS LIMITED



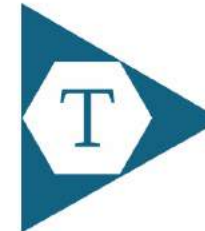
Crescent Bahuman



Sunrays Textiles Process Private Limited
Excellence by Expertise



TANVEER



BILAL FIBRES LIMITED
MANUFACTURERS & EXPORTERS OF YARN



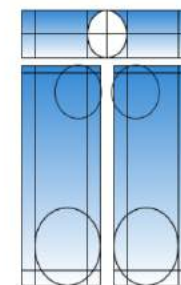
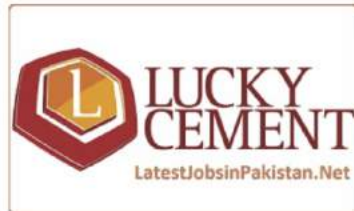
PROUD TO SERVE



Gharibwal Cement
Vacant Positions | Apply Now



TARIQ GLASS INDUSTRIES LTD.



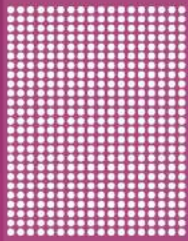
Ibrahim Group



Ghazi Fabrics
International Ltd



CENTURY PAPER & BOARD MILLS LIMITED



**ISO 9001-2000
CERTIFIED COMPANY**



Sheikhupura Road, | Ph: +92-55-4272890-3 | Web: www.paklite.com
Gujranwala-Pakistan | UAN: 03-111-444-805 | Email: marketing@paklite.com